

**PP-010CF**

**PP-010BNF**

**MATCO  
NORCA**

**PP-010MBF**

## **50/50 PUSH POP-UP**

# Product Spec Sheet



### **FEATURES & BENEFITS**

- With Overflow

### **Approvals:**

Meets or Exceeds The Following:

- \* ANSI/ASME A112.18.1/A112.18.1
- \* IAPMO/cUPC

PP-010CF  
Chrome Finish

PP-010BNF  
Brushed Nickel Finish

PP-010MBF  
Matte Black Finish



**TEL:** 800-431-2082

**FAX:** 800-640-2252

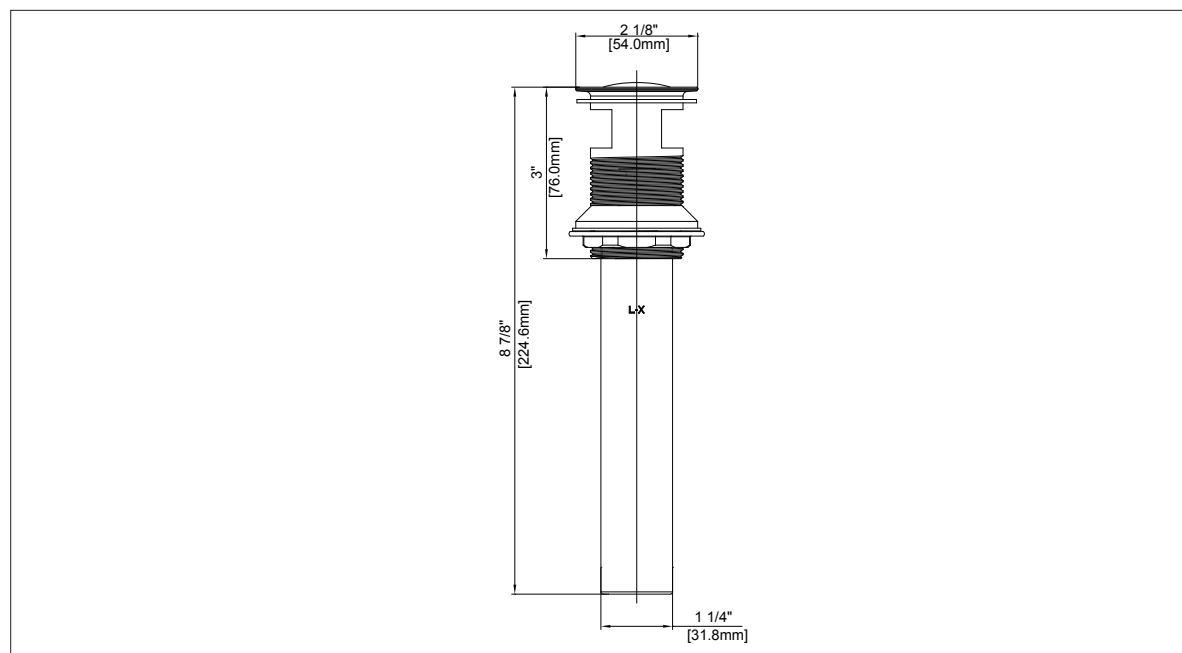
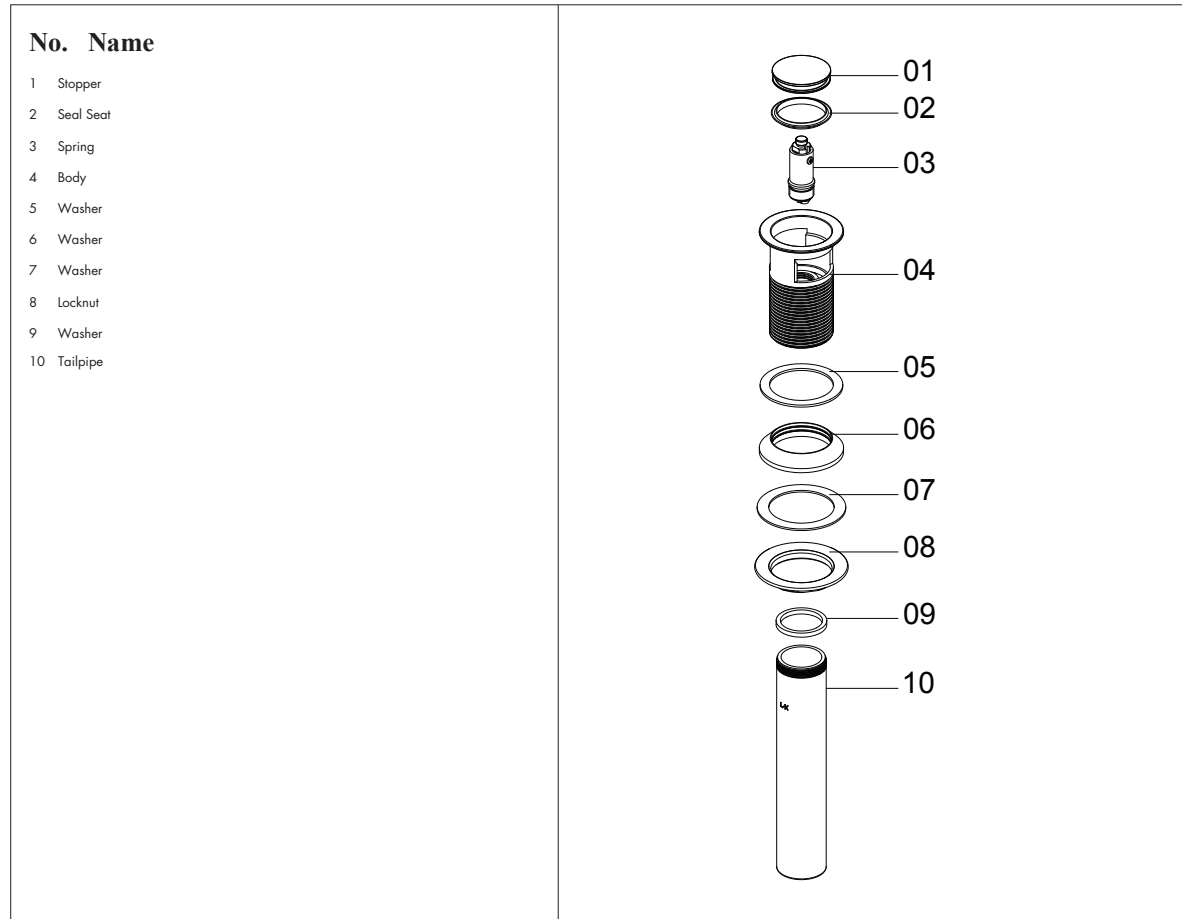
Visit Our Web Site : [www.matco-norca.com](http://www.matco-norca.com)

**PP-010CF**

**PP-010BNF**

**PP-010MBF**

**50/50 PUSH POP-UP**



**Product Spec Sheet**